



X-Band Antenna

for CubeSat nanosatellites applications

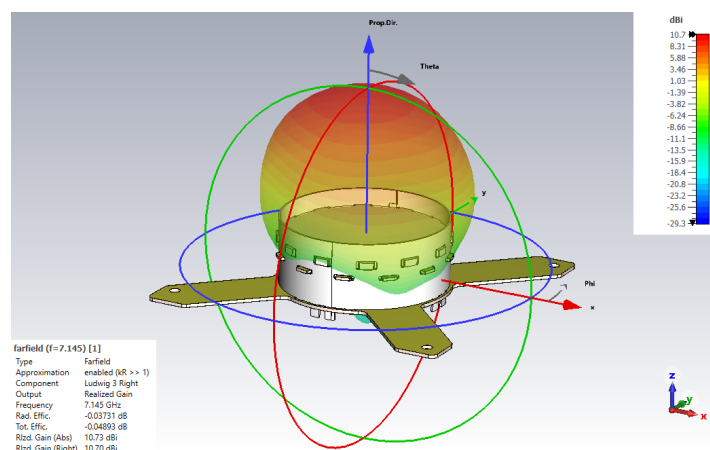
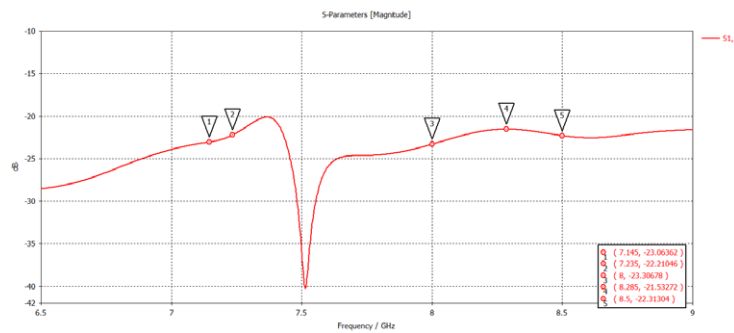
ABOUT

WiRan X-Band antenna is a currently developed component for full-duplex communication for data transmission and swarm dedicated radiocommunication in X band. The antenna is designed to operate in 7145-7235 & 8000-8500 MHz bands. It is fully compatible and easily integrable with WiRan X-Band Diplexer.



FEATURES

- compliant with the CubeSat nanosatellite standard
- full duplex ready
- RHCP by default
- light & compact



radiation pattern, S parameters available on request

WiRan sp. z o.o.

Pomieranian Science and Technology Park, Al. Zwycięstwa 96/98

81-451 Gdynia, Poland

+48 58 663 10 10

wiran.pl, info@wiran.pl

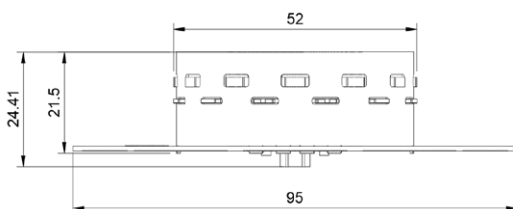


X-Band Antenna

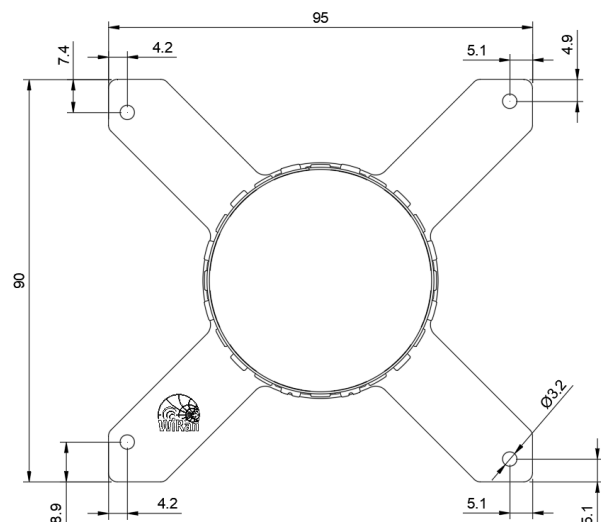
for CubeSat nanosatellites applications

RF Parameters	Value	Tolerances	Unit
Frequency Range	7145-7235; 8000-8500		MHz
Return Loss	20	TBA	dB
HPBW	42	TBA	°
Gain	10.7	TBA	dBi
AR (RHCP) @ 0°	2	TBA	dB
AR (RHCP) @ ±20°	3	TBA	dB
AR (RHCP) max @ ±40°	11	TBA	dB
Maximum power	15	TBA	W

Mechanical Parameters	Value	Tolerances	Unit
Operating temperature range	-40 / +72	TBA	°C
Weight	40	TBA	g
Maximum linear dimension (X or Y)	96	TBA	mm
Maximum height (Z)	24.4	TBA	mm
Height without connector (Z)	20	TBA	mm
RF interface	SMP male	-	-



all values in mm
STEP files available on request



Ordering code	Description
AXA	X band antenna 7145-8500MHz, CubeSat compatible