

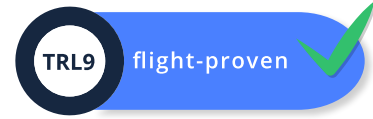


S-Band Diplexer

for CubeSat nanosatellites applications

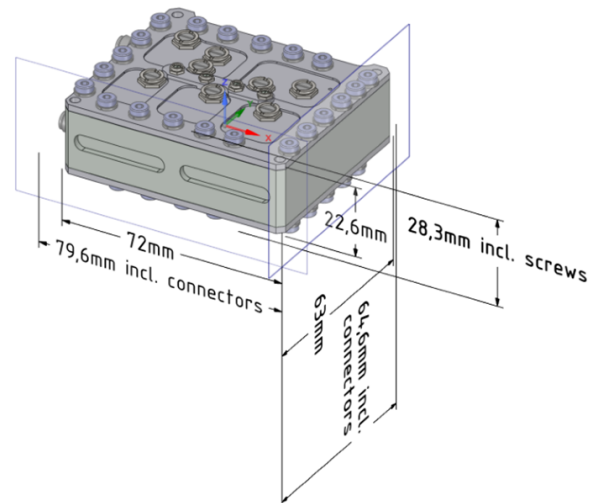
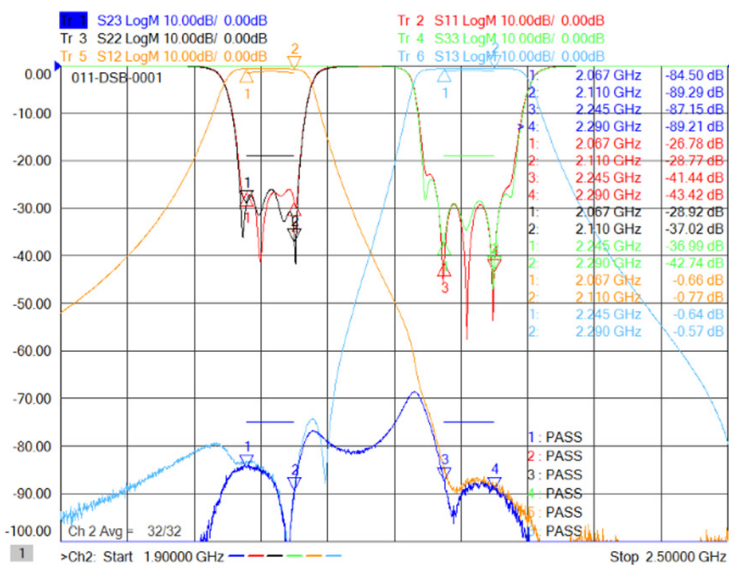
ABOUT

WiRan S-Band diplexers provide full-duplex communication for data transmission and TM&TC using a single antenna. They are designed to operate in 2025-2290 MHz band.



FEATURES

- compliant with the CubeSat nanosatellite standard
- provides high isolation between RX & TX bands
- durable, mechanical-shock- and temperature-resistant aluminium housing
- fully compatible with WiRan S-Band antenna
- two variants (A and B) available covering the entire 2025-2290 MHz range, no need for tuning based on channel allocation



S parameters available on request

WiRan sp. z o.o.

Pomieranian Science and Technology Park, Al. Zwycięstwa 96/98

81-451 Gdynia, Poland

+48 58 663 10 10

wiran.pl, info@wiran.pl



S-Band Diplexer

for CubeSat nanosatellites applications

Parameter	DSA	DSB	Unit
RX frequency range (UL)	2025-2068	2067-2110	MHz
TX frequency range (DL)	2200-2245	2245-2290	MHz
Isolation in TX and RX	Min. >75, typical 80		dB
Insertion Loss at TX _{f_{center}} /f _{edge}	Max. 1/1.2; typical 0.7/0.8		dB
Insertion Loss at RX _{f_{center}} /f _{edge}	Max. 1.2/1.5; typical 0.7/0.9		dB
Return Loss (all ports)	Min. >19; typical 22		dB
Power handling	3		W
Operating temperature range	-40 ÷ +75		°C
Weight	220		g
Maximum X/Y linear dimension	80		mm
Maximum height Z	28.5		mm
RF interface	SMA female connectors		

all values in mm
STEP files available on request

Ordering code	Description
DSA	S band diplexer 2025-2245MHz, CubeSat compatible
DSB	S band diplexer 2067-2290MHz, CubeSat compatible